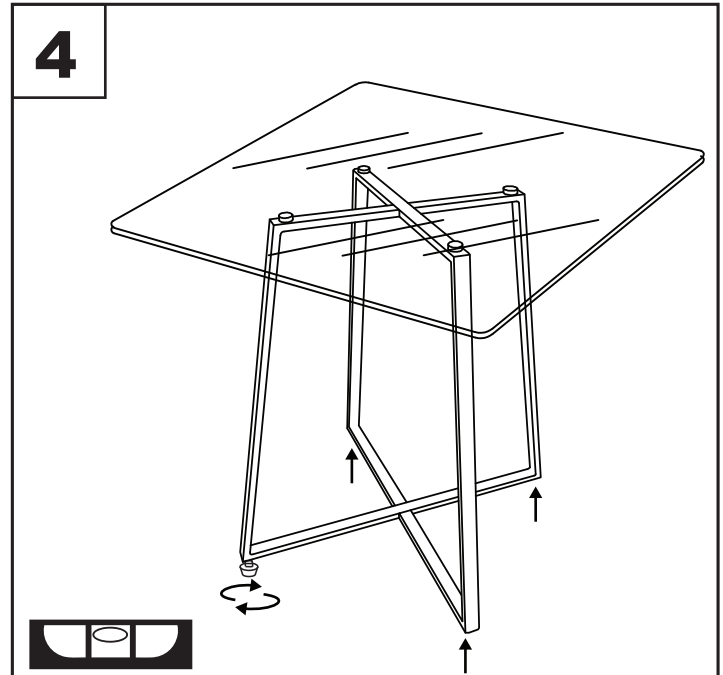
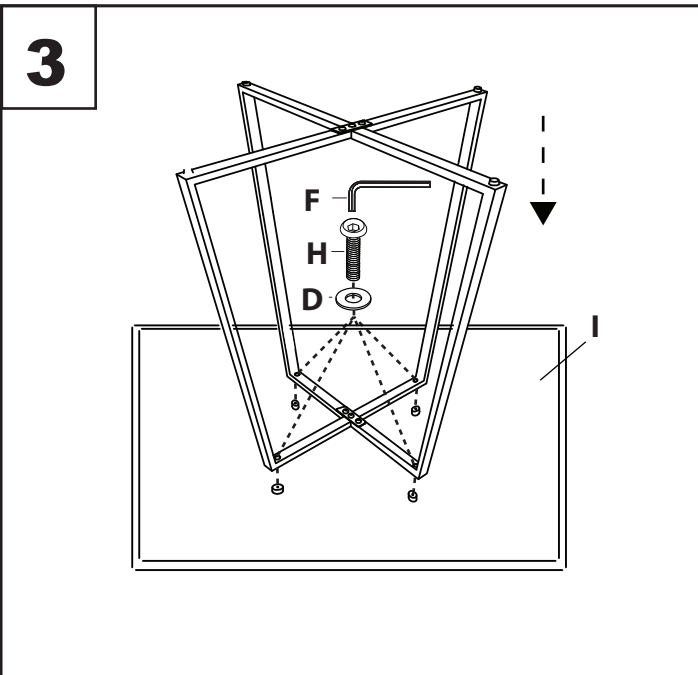
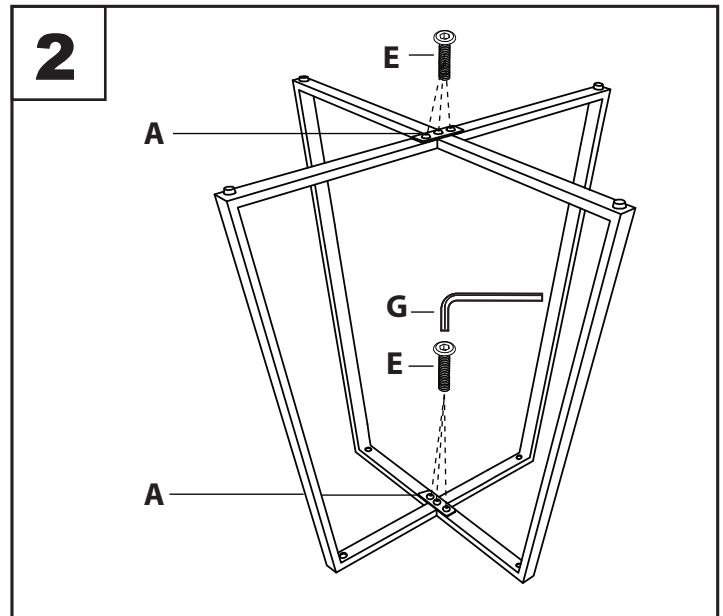
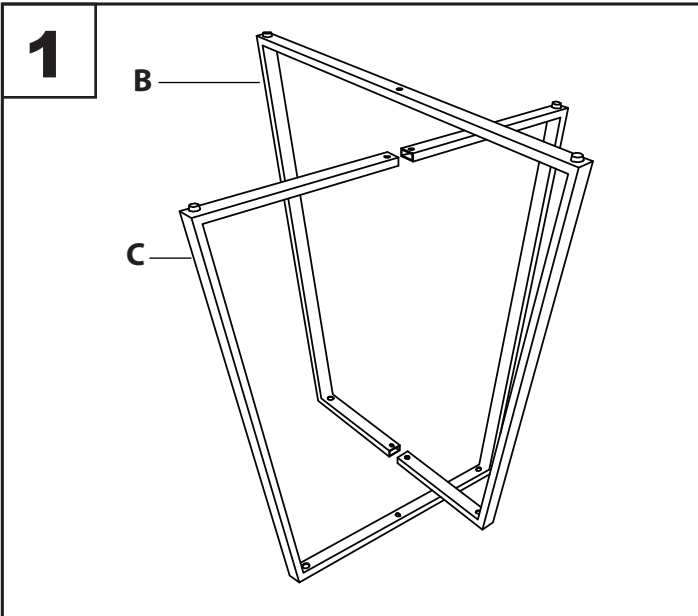


Part # DT-COSMOSQ XX+XX

22-0311

PARTS							NON-GLASS TOP	GLASS TOP	I
x2			x4	x6 (M6x14mm)	(5mm)	(4mm)	x4 (M6x25mm)	x4 (M8x25mm)	
A	B	C	D	E	F	G	H(1)	H(2)	I



**⚠ WARNING:TABLE**

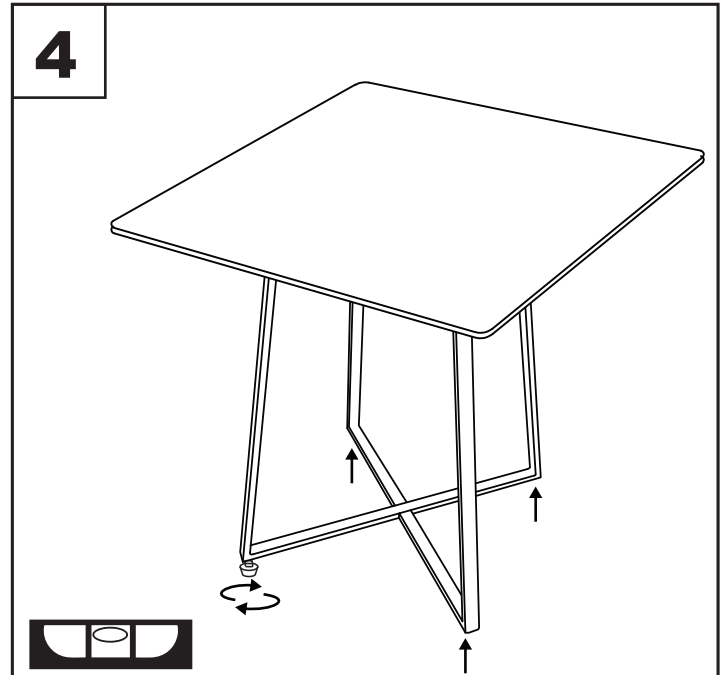
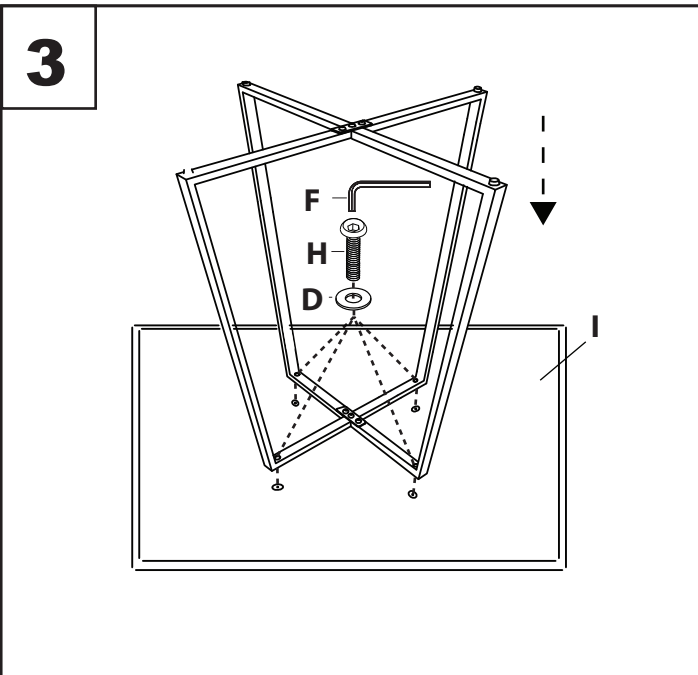
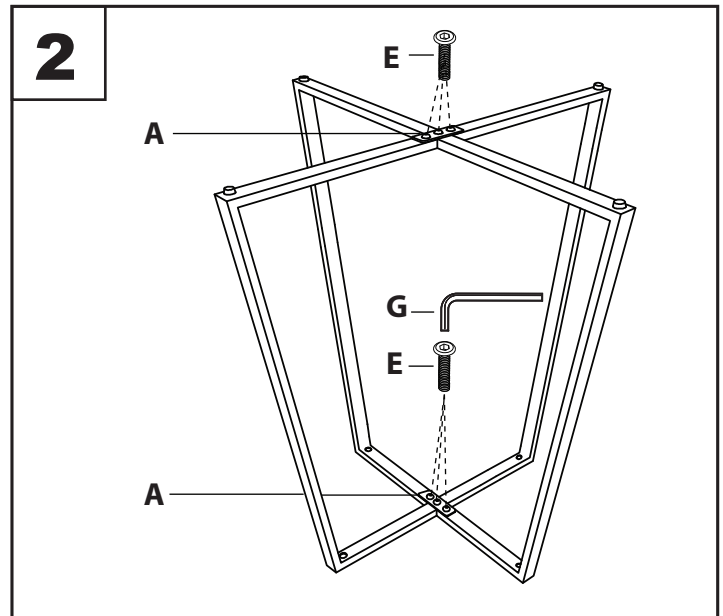
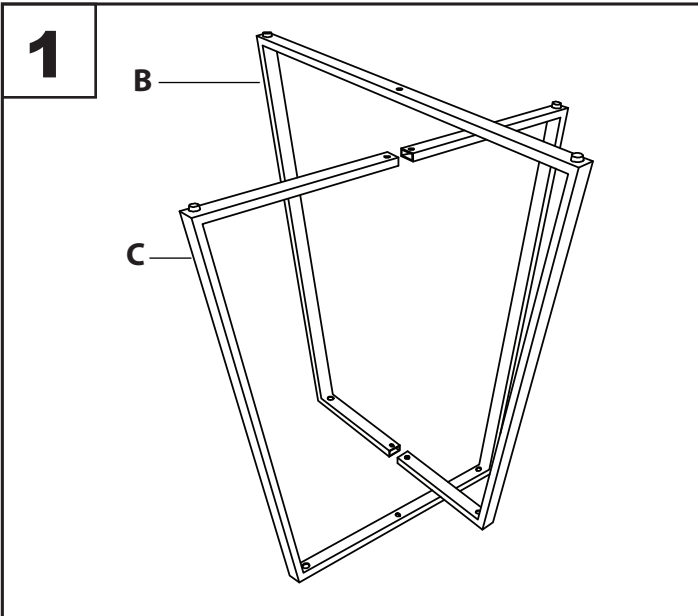
- Read all instructions carefully and completely before assembly and use. Retain for future reference.
- Keep plastic bags and small parts away from children.
- For residential (non-commercial) use only.
- DO NOT stand on product. Use only for intended table purpose.
- Max weight limit 150 lbs.
- Periodically check for loose hardware; retighten as necessary.
- DO NOT use product if any component becomes damaged.
- DO NOT use power tools to assemble OR overtighten hardware.

# Cosmo Dining Table

Part # DT-COSMOSQ XX+XX

22-0311

PARTS							NON-GLASS TOP	GLASS TOP	
x2			x4	x6 (M6x14mm)	(5mm)	(4mm)	x4 (M6x25mm)	x4 (M8x25mm)	
<b>A</b>	<b>B</b>	<b>C</b>	<b>D</b>	<b>E</b>	<b>F</b>	<b>G</b>	<b>H(1)</b>	<b>H(2)</b>	<b>I</b>



**⚠ WARNING:TABLE**

- Read all instructions carefully and completely before assembly and use. Retain for future reference.
- Keep plastic bags and small parts away from children.
- For residential (non-commercial) use only.
- DO NOT stand on product. Use only for intended table purpose.
- Max weight limit 150 lbs.
- Periodically check for loose hardware; retighten as necessary.
- DO NOT use product if any component becomes damaged.
- DO NOT use power tools to assemble OR overtighten hardware.